

MDS

[mds-int.net](http://www.mds-int.net)

M520R TROMMEL

<http://www.mds-int.net>



MDS-INT
Drummond
Carrickmacross
Co. Monaghan, IRELAND

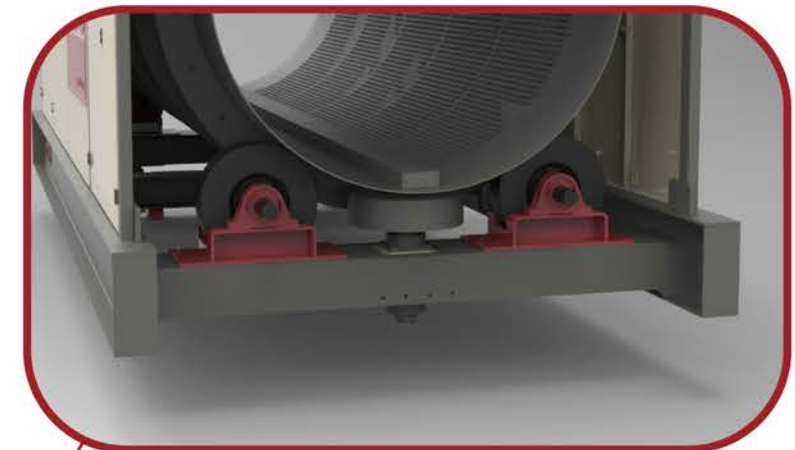
TEL: +353 42 966 7899
EMAIL: info@mds-int.net
WEB: www.mds-int.net

[f /MDSInternational](https://www.facebook.com/MDSInternational) [YouTube /MDSInternational](https://www.youtube.com/MDSInternational) [ig /MDSInternational](https://www.instagram.com/MDSInternational)

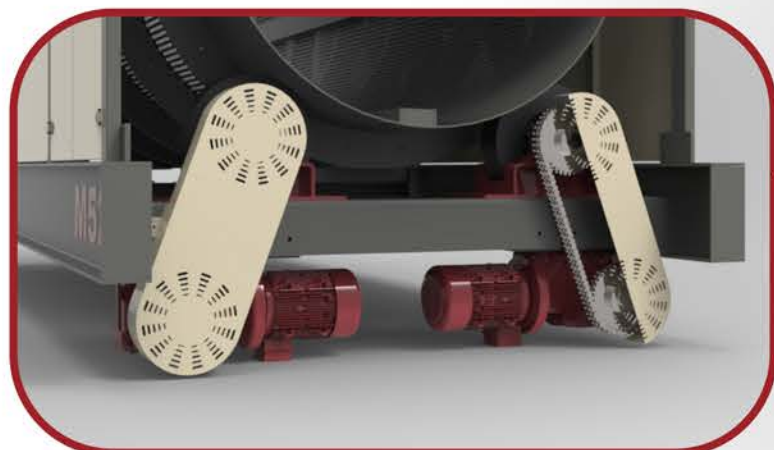
The M520R trommel is used for light recycling materials, compost, wood bark etc. Its screens can be changed easily and the screen aperture can be from 5 mm to 50 mm (0.2" to 2"). Driven by twin 3 kW (4 HP) electric motors, the drive is powerful and smooth. It comes fully guarded and CE certified.



VARIOUS SCREEN OPENINGS



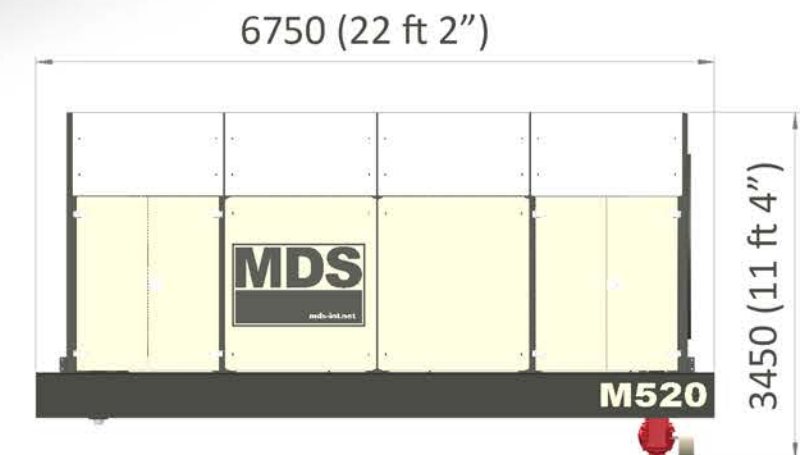
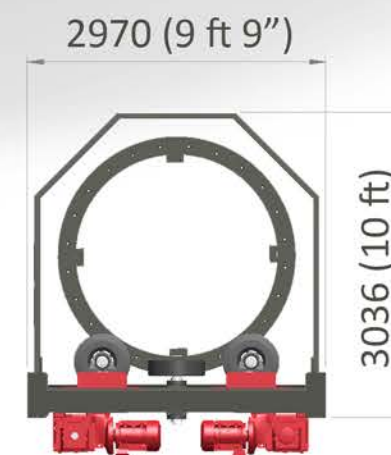
SOLID RUBBER WHEELS



2 OFF 3 kW (4 HP) MOTORS

TECHNICAL SPECIFICATIONS







DIMENSIONS



MACHINE SPECIFICATIONS

Approx Tons per Hour :	15	Weight :	4 tons
Drum Diameter :	2 m (6 ft 7")	Number of Outputs :	2 off
Drum Length :	5 m (16 ft 5")	Screen Openings :	5 to 50 mm (0.2" to 2")
		Drive System :	2 off 3 kW (4 HP) Motors

MDS TROMMEL RANGE

MODEL	Tons per Hour	Drum Diameter	Drum Length	Number of Outputs	Screen Openings	Hopper Capacity	Feed Mechanism	Engine and Controls
MDS M515 TROMMEL Mobile track machine for use with primary blast, dirty material or rip rap								
	350 to 500 tons	1.5 m (4 ft 11")	5 m (16 ft 5")	3 off	25 mm to 460 mm (1" to 18")	30 tons	Hydraulic Push Feeder	Cat 4.4 / Electronic Control System
MDS M615 STATIC TROMMEL Semi mobile machine which can be moved from site to site and can be loaded by an excavator or dump truck								
	350 to 500 tons	1.5 m (4 ft 11")	6 m (19 ft 8")	4 off	25 mm to 500 mm (1" to 20")	30 tons	Hydraulic Push Feeder	Cat 4.4 / Electronic Control System
MDS M820 TROMMEL A large heavy duty static rock trommel ideal for cleaning dirty rock or screening blasted material								
	750 tons	2 m (6 ft 7")	8 m (26 ft 3")	3 or 4 off	25 mm to 600 mm (1" to 24")	70 tons	Hydraulic Push Feeder	CAT 6.6 / Electronic Control System
MDS M825 TROMMEL A super sized heavy duty static trommel for maximum output. It can be set up on concrete walls or a metal chutes structure								
	1000 tons	2.5 m (8 ft 2")	8 m (26 ft 3")	3 off	70 mm to 600 mm (3" to 24")	100 tons	Hydraulic Push Feeder	Cat 6.6 / Electronic Control System
MDS M520R TROMMEL A static trommel ideal for compost or light recycling								
	15 tons	2 m (6 ft 7")	5 m (16 ft 5")	2 off	5 mm to 50 mm (0.2" to 2")	X	X	2 off 3 kW Motors (4 HP)
MDS M820R TROMMEL A tough static machine built for recycling concrete and demolition or any heavy duty recycling								
	50 tons	2 m (6 ft 7")	8 m (26 ft 3")	2 or 3 off	10 mm to 250 mm (0.4" to 10")	X	X	2 off 15 kW Motors (20 HP)

MDS APRON FEEDERS

Manufactured to your requirements

QUARRY FEEDER



MINING FEEDER

